



## LED MODULES

# SA R-RIGID LED Series

### Features

- INDOOR use only
- Ideal for single-sided, fabric-face light boxes in 60–100mm deep by 100mm(\*Center to Center), 80-120mm deep by 150mm(\*Center to Center)
- Constant voltage & Dimmer Compatibility
- **DALI** Compatibility
- Highest quality double-side **3M** | **VHB** Tapes backing
- 5 years warranty

### Specification

Item Code	Type	Modules/Unit	Power(W)	Luminous Flux(lm)	Efficiency(lm/W)
SA 9268	2 LED	27 modules	0.68W	111lm	163lm
SA 9268-S	2 LED	44 modules	0.68W	111lm	163lm
SA 9768	6 LED	27 modules	2.05W	333lm	163lm
SA 9768-S	6 LED	44 modules	2.05W	333lm	163lm

### Technical Characteristics

CCT(K)	6500K
Voltage	DC24V
Current Dissipation(A)	0.03A (2LED) / 0.09A (6LED)
IP Rating	IP20
CRI(Ra)	80+
Viewing Angle	170°
LED Type	2835 LED

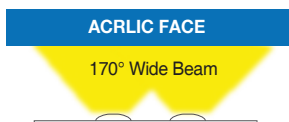
### Certification



### Temperature Ranges

Operating temperature	-40~60°
Storage temperature	-40~60°

Angle Beam



**Warranty**

Warranty	5 years
----------	---------

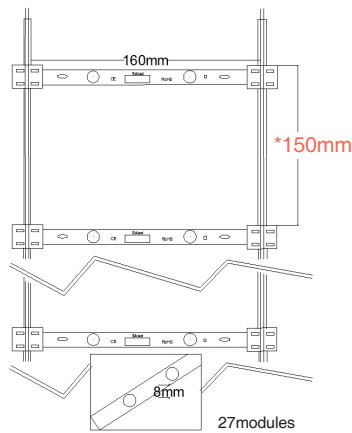
**Physical Characteristics**

	2 LED	6 LED
Dimensions(W*H*L)	160*8*17mm	479*8*17mm
Weight	594g / 858g	1138g / 1560g

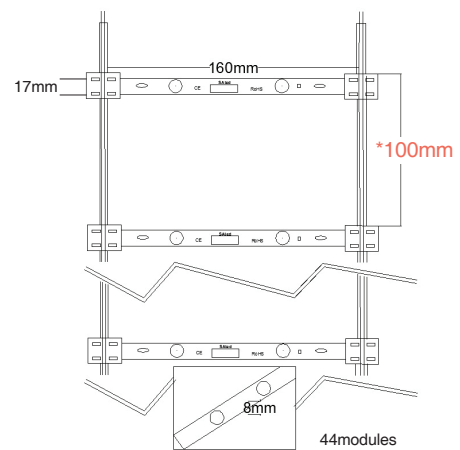
**Profile Drawings**

\*Center to Center

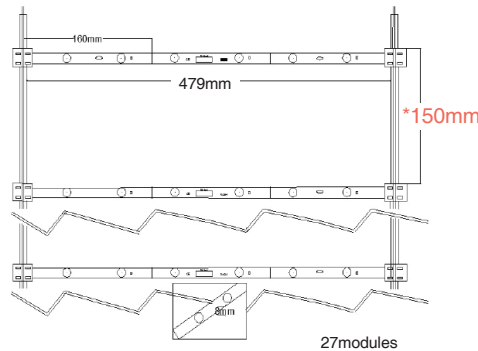
**SA 9268**



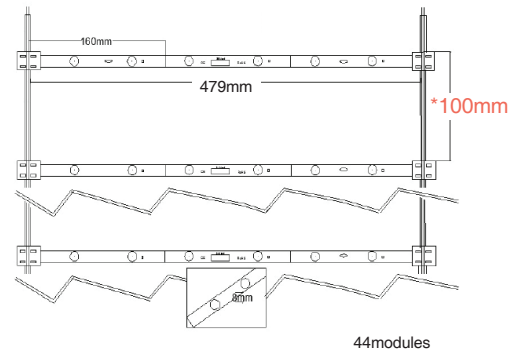
**SA 9268-S**



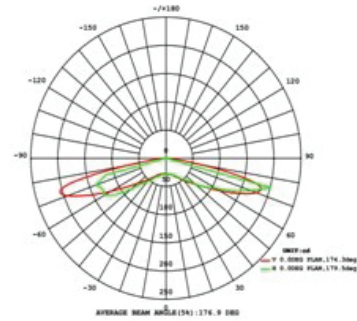
**SA 9768**



**SA 9768-S**

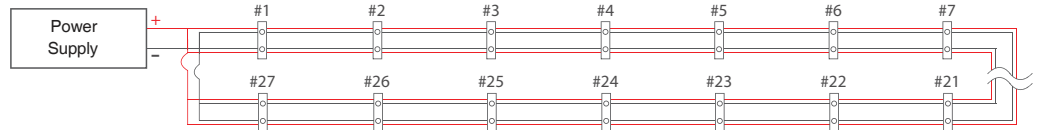


**Luminous Intensity Distribution Diagram**

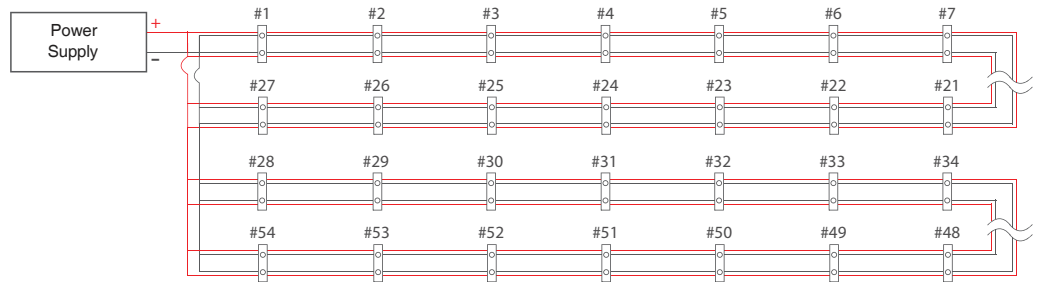


**Max in series 27 EA**

Single series \*Up-to 27 modules in a single series

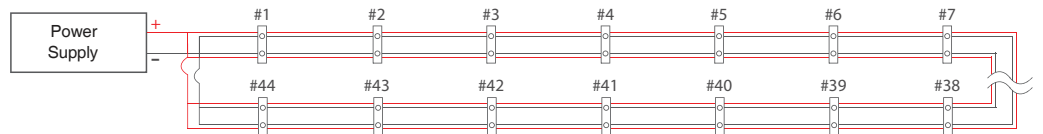


Multiple series



**Max in series 44 EA**

Single series \*Up-to 44 modules in a single series



Multiple series

